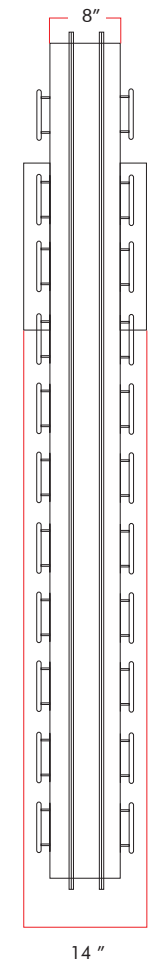
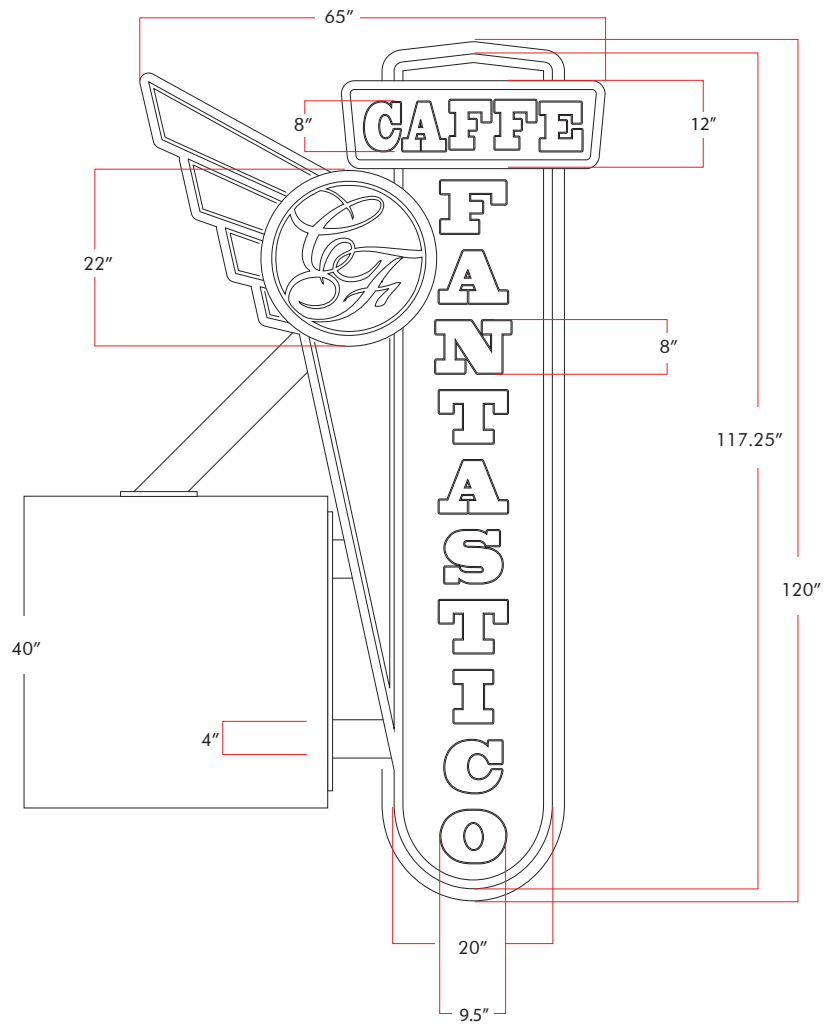


Caffe Fantastico - Projecting Signage



All measurements are approximate until site survey completed.



2903 Ceylon Road
Shawnigan Lake
British Columbia
V0R 2W1

250.888.7446
1.877.611.7446
sales@rustyneon.com
www.rustyneon.com

PROJECT: Caffe Fantastico	
LOCATION: Quadra @ king St.	
DATE: Jan 23 2014	
CUSTOMER APPROVAL:	DATE:

SIGN TYPE:	<input checked="" type="checkbox"/> NEON ILLUMINATION
<input type="checkbox"/> DIGITAL GRAPHICS	<input checked="" type="checkbox"/> LED ILLUMINATION
<input checked="" type="checkbox"/> VINYL:	<input checked="" type="checkbox"/> <input type="checkbox"/> <input type="checkbox"/> <input type="checkbox"/> <input type="checkbox"/> <input type="checkbox"/> <input type="checkbox"/> <input type="checkbox"/>
<input checked="" type="checkbox"/> PAINT:	<input checked="" type="checkbox"/> <input type="checkbox"/> <input type="checkbox"/> <input type="checkbox"/> <input type="checkbox"/> <input type="checkbox"/> <input type="checkbox"/> <input type="checkbox"/>



Artwork, Layouts and Designs are property of Rusty Neon Signs Ltd. Client Subject to design fees if duplicated or reproduced.